

Scaled data based on original data using
LM-79-08 Approved Method: Electrical and Photometric Measurements of Solid-State
Lighting Products

Test Report Prepared for
Cooper Lighting Solutions
(formerly Eaton)

Brand: STREETWORKS

Report Number: P571709

Luminaire Tested: **UFLD-S-CA1-50-727-U-66-TS2LW_NFFLD**

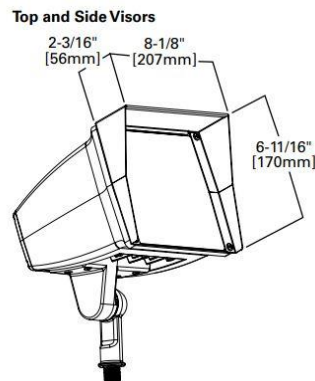
Issue Date: 9/21/2021

Test Information

Test Method: LM-79-08
Report Number: P571709
TEST IS SCALED FROM IESNA LM-79-08 TEST DATA (G2-2109-378-6)
Test Lab: COOPER LIGHTING SOLUTIONS
Issue Date: 9/21/2021
Manufacturer: COOPER LIGHTING SOLUTIONS (FORMERLY EATON)
Product Line: STREETWORKS
Catalog Number: UFLD-S-CA1-50-727-U-66-TS2LW_NFFLD
Description: FLOOD LIGHT SMALL, 6x6 OPTIC WITH TOP AND SIDE VISOR
Light Source: (1) 2700K CCT, 70 CRI LEDS
Ballast/Driver: -

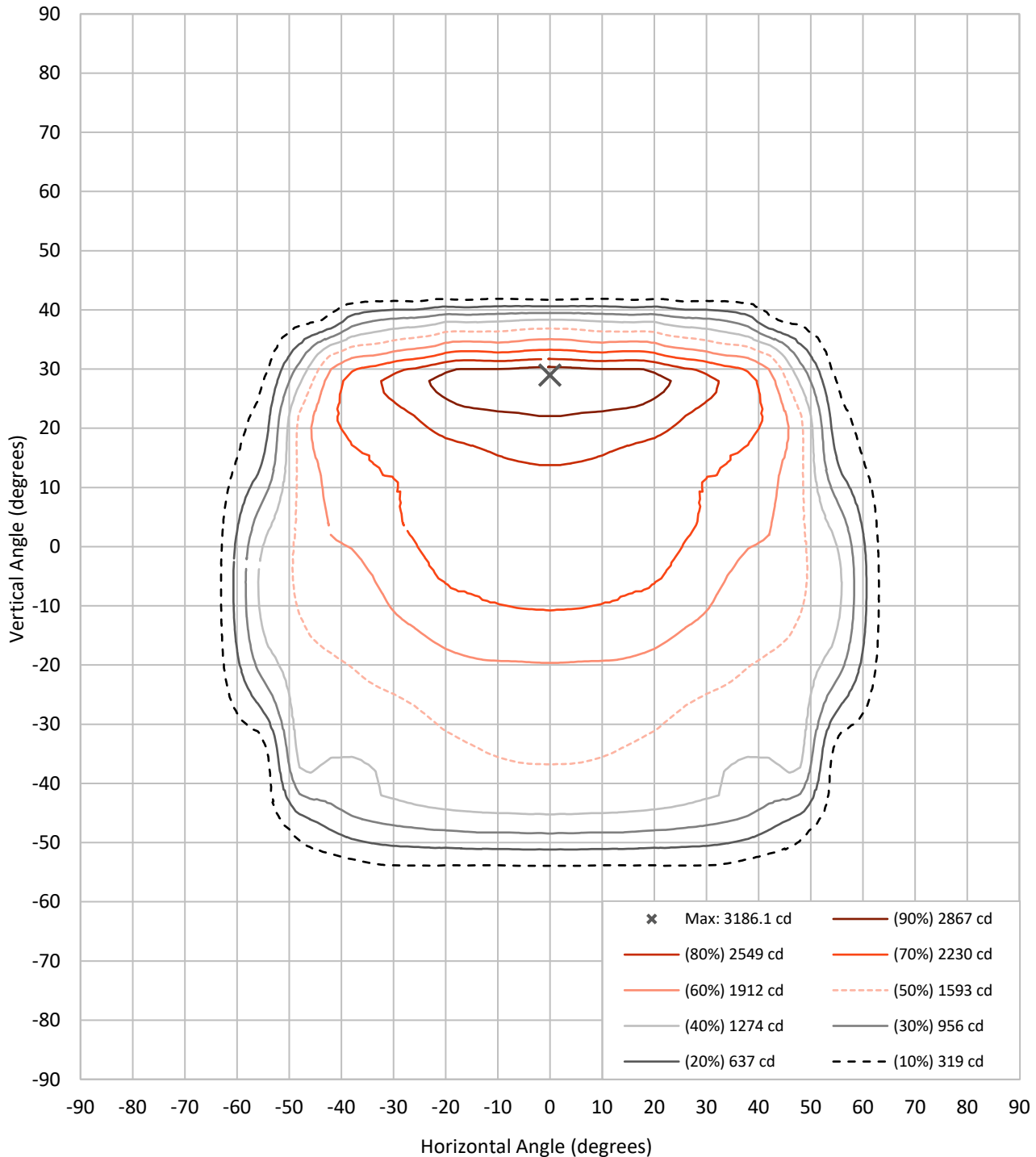
Summary

Lumens per Lamp:	N/A	NEMA Type:	6H x 5V
Luminaire Lumens:	4967 lumens	Max Intensity:	3186.1 candela
Efficiency:	N/A	Max Intensity Angle:	0°H x 29°V
Efficacy:	100.1 lumens/watt		
Luminous Opening:	Rectangular (W 0.67' x L: 0.5' x H: 0')		
Beam Angle (50%):	90.2°H x 73.7°V	Field Angle (10%):	108.6°H x 95.6°V
Beam Lumens:	3589.1 lumens	Field Lumens:	4832.8 lumens
Beam Efficiency:	72.3%	Field Efficiency:	97.3%
Input Watts (W):	49.6		
Input Voltage (V):	120		
Input Current (Ain):	NR		
Voltage Rise (V):	NR		
Power Factor:	NR		
Total Harmonic Distortion (THDi):	NR		
Frequency (hertz):	60		
Stabilization Time:	NR		
Operation Time:	NR		
Ambient Temperature (°C):	NR		
Test Distance:	25 FT		



REPORT NUMBER: P571709
CATALOG NUMBER: UFLD-S-CA1-50-727-U-66-TS2LW_NFFLD

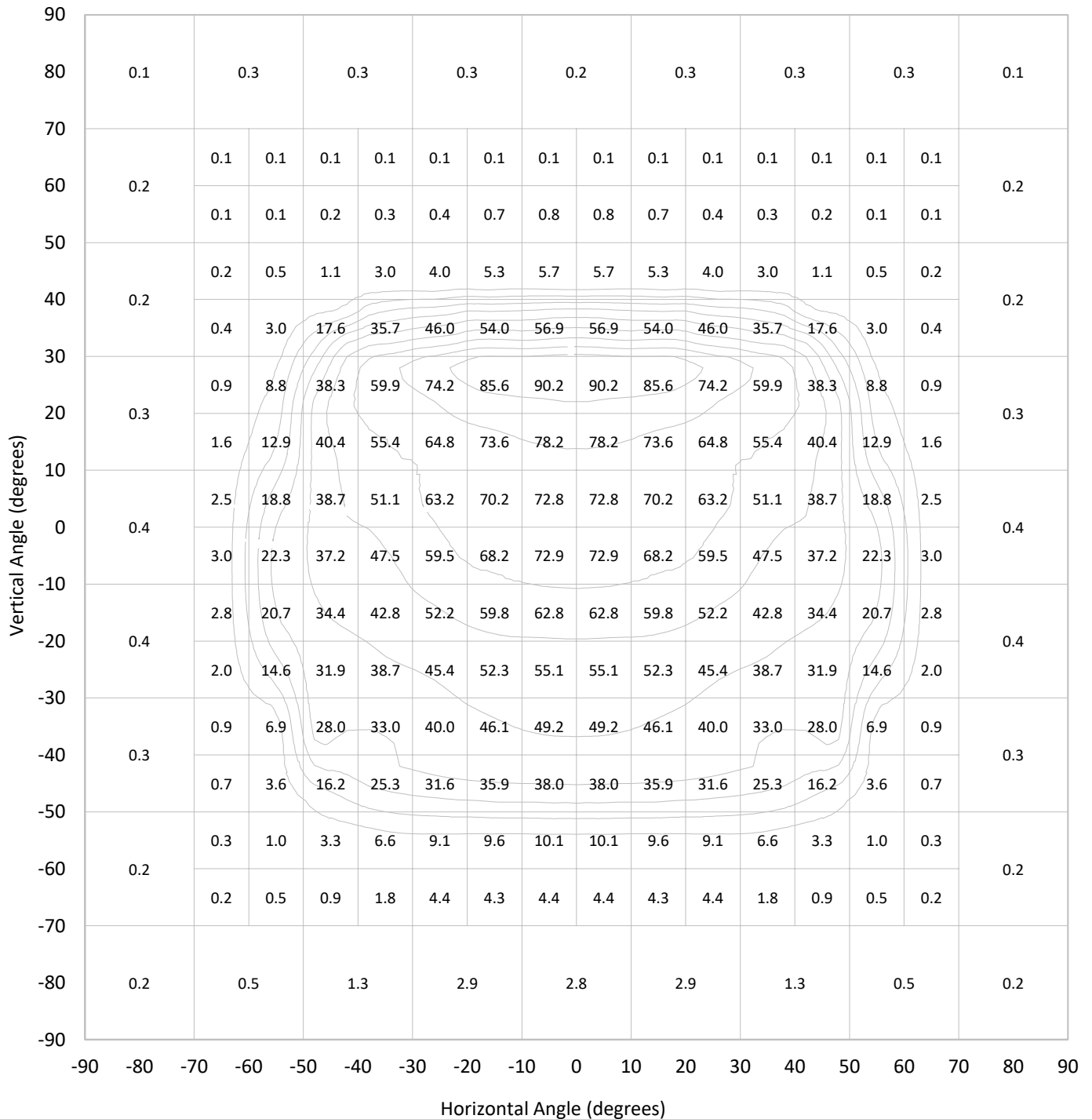
Iso-Candela Plot





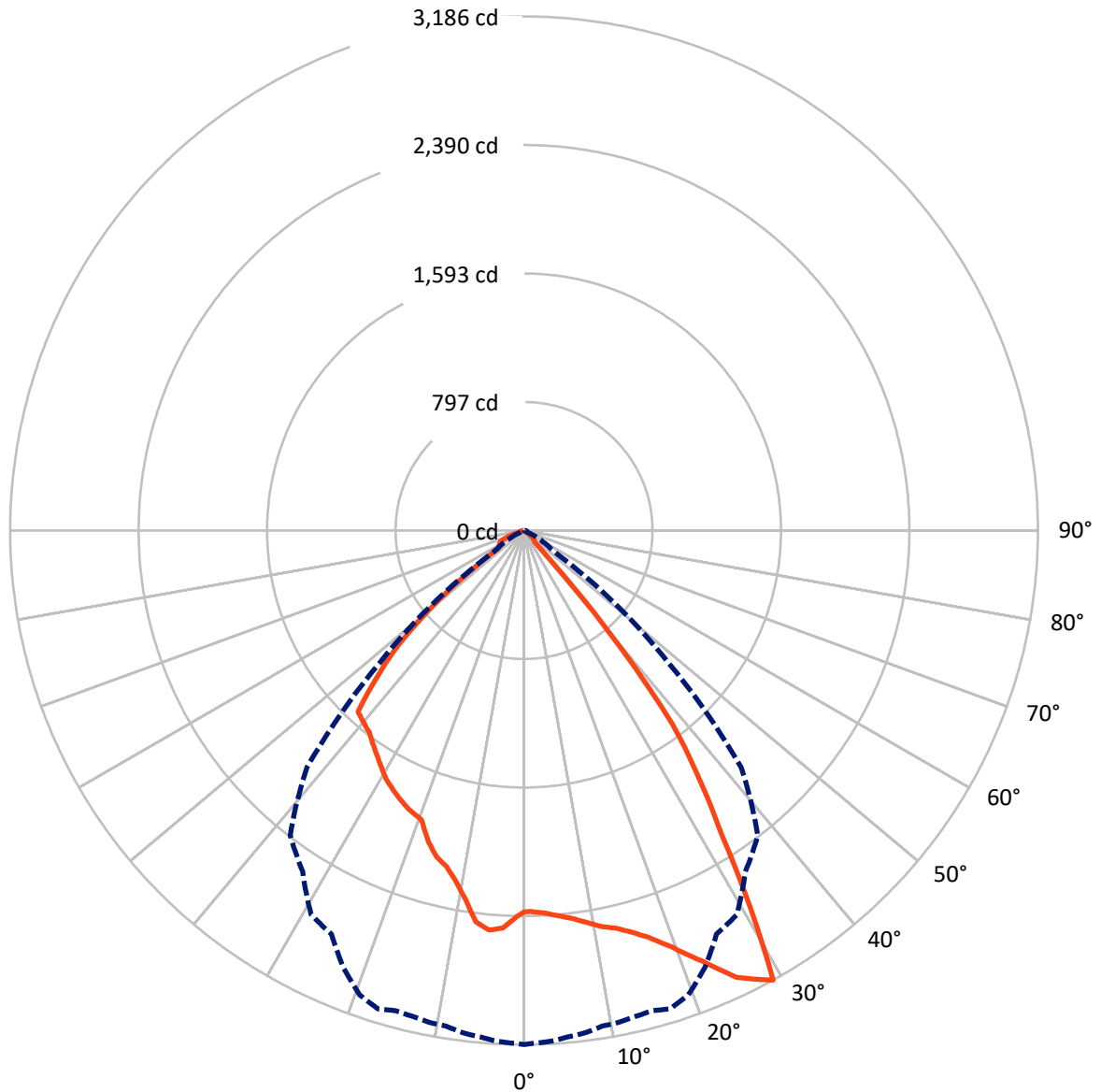
REPORT NUMBER: P571709
 CATALOG NUMBER: UFLD-S-CA1-50-727-U-66-TS2LW_NFFLD

Lumen Table



REPORT NUMBER: P571709
CATALOG NUMBER: UFLD-S-CA1-50-727-U-66-TS2LW_NFFLD

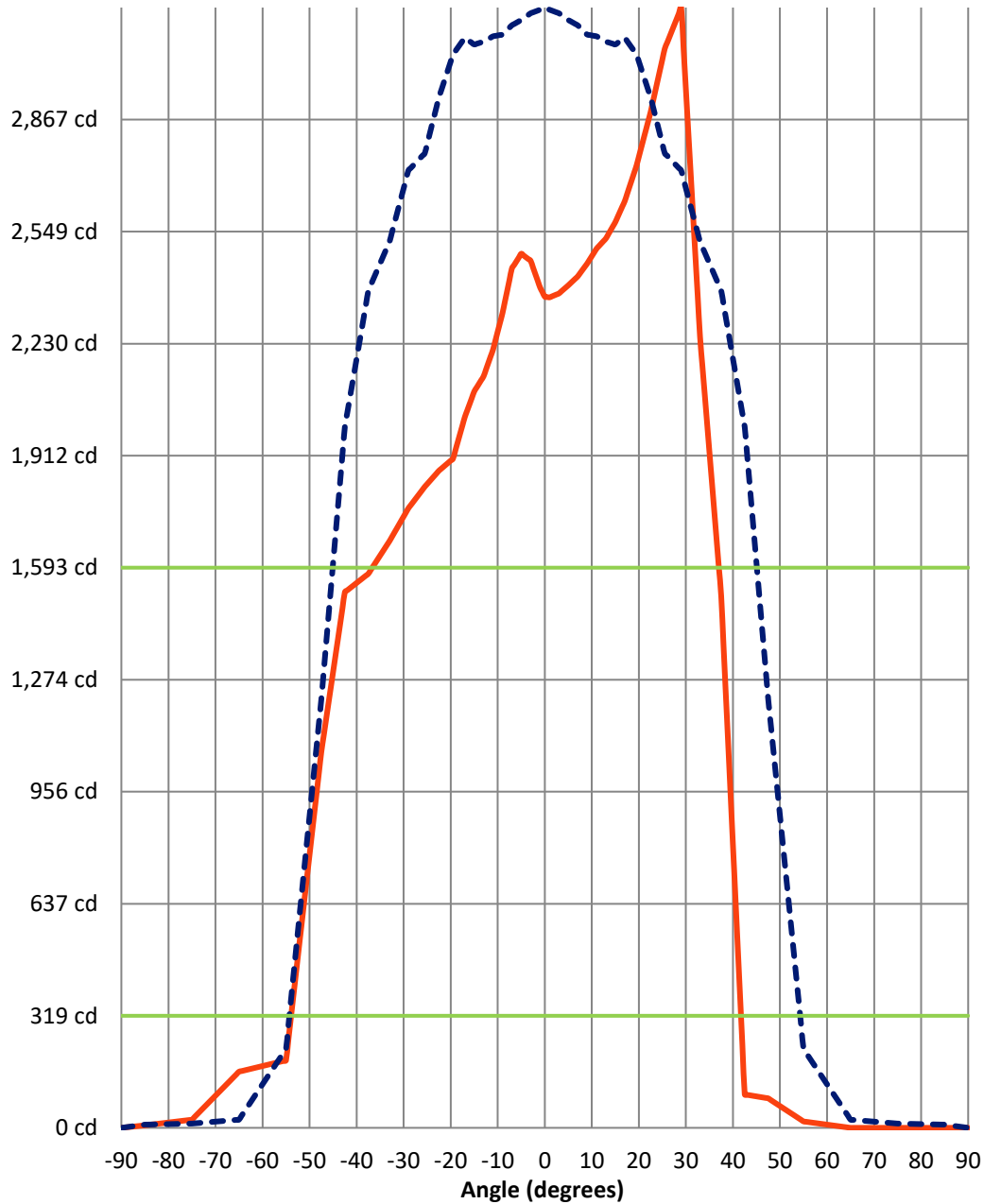
Luminous Intensity Polar Plot



— Vertical Distribution Through 0-Deg - - - Horizontal Distribution Through 29-Deg

REPORT NUMBER: P571709
 CATALOG NUMBER: UFLD-S-CA1-50-727-U-66-TS2LW_NFFLD

Luminous Intensity Plot



Beam:
 H Angle: 90.2°
 V Angle: 73.7°
 Lumens: 3589.1
 Efficiency: 72.3%

Field:
 H Angle: 108.6°
 V Angle: 95.6°
 Lumens: 4832.8
 Efficiency: 97.3%

Spill:
 Lumens: 134.2
 Efficiency: 2.7%

- Vertical Distribution through 0-Deg
- - - Horizontal Distribution through 29-Deg



REPORT NUMBER: P571709

CATALOG NUMBER: UFLD-S-CA1-50-727-U-66-TS2LW_NFFLD

FIELD
BEAM

CANDELA DISTRIBUTION:

	0°	1°	3°	5°	7°	9°	11°	13°	15°	17°	19.5°
90°	0.0	0.0	0.0	0.0	0.0	0.0	0.0	0.0	0.0	0.0	0.0
85°	0.0	1.0	3.0	3.0	3.0	3.0	4.0	4.0	4.0	4.0	4.0
75°	0.0	1.0	1.0	2.0	3.0	3.0	3.0	3.0	3.0	3.0	2.0
65°	0.0	0.0	1.0	1.0	2.0	2.0	2.0	2.0	2.0	2.0	2.0
55°	18.2	18.2	18.2	18.2	18.2	18.2	19.2	18.2	17.2	17.2	17.2
47.5°	83.8	83.8	83.8	79.8	76.8	75.8	73.7	69.7	67.7	69.7	67.7
42.5°	95.0	97.0	111.1	132.3	150.5	164.7	164.7	151.5	119.2	99.0	159.6
37.5°	1512.2	1499.1	1518.3	1479.9	1454.7	1417.3	1406.2	1391.0	1376.9	1393.0	1414.2
33°	2249.7	2225.4	2250.7	2198.1	2181.0	2145.6	2165.8	2209.3	2219.4	2225.4	2179.0
29°	3186.1	3180.0	3169.9	3150.7	3135.6	3109.3	3104.3	3089.1	3081.0	3100.2	3052.8
25.5°	3068.9	3072.0	3058.8	3045.7	3029.5	3034.6	3021.4	3008.3	2994.2	2964.9	2906.3
22.5°	2889.1	2896.2	2883.0	2863.9	2851.7	2848.7	2835.6	2820.4	2807.3	2797.2	2757.8
19.5°	2736.6	2739.6	2734.6	2724.4	2715.4	2704.2	2684.0	2661.8	2641.6	2636.6	2618.4
17°	2635.6	2638.6	2634.5	2626.5	2617.4	2601.2	2582.0	2556.8	2536.6	2520.4	2493.1
15°	2576.0	2578.0	2574.9	2566.9	2555.8	2543.6	2528.5	2508.3	2486.0	2461.8	2428.5
13°	2529.5	2531.5	2528.5	2519.4	2509.3	2497.2	2484.0	2466.9	2447.7	2426.4	2398.2
11°	2500.2	2501.2	2496.1	2489.1	2478.0	2465.8	2451.7	2432.5	2418.4	2406.2	2390.1
9°	2457.8	2458.8	2456.8	2450.7	2445.6	2433.5	2422.4	2407.3	2396.1	2392.1	2387.1
7°	2421.4	2422.4	2422.4	2415.3	2410.3	2402.2	2393.1	2381.0	2374.9	2378.0	2383.0
5°	2396.1	2398.2	2397.2	2391.1	2387.1	2382.0	2376.9	2368.9	2361.8	2372.9	2387.1
3°	2372.9	2372.9	2374.9	2371.9	2370.9	2371.9	2372.9	2369.9	2367.9	2383.0	2402.2
1°	2361.8	2361.8	2365.8	2366.8	2369.9	2375.9	2388.1	2396.1	2398.2	2393.1	2460.8
0°	2363.8	2363.8	2369.9	2378.0	2387.1	2400.2	2410.3	2415.3	2410.3	2392.1	2585.0
-1°	2390.1	2387.1	2391.1	2405.2	2415.3	2427.5	2430.5	2426.4	2412.3	2386.0	2419.4
-3°	2465.8	2467.9	2466.9	2468.9	2468.9	2465.8	2449.7	2420.4	2389.1	2353.7	2325.4
-5°	2486.0	2492.1	2486.0	2479.0	2472.9	2446.7	2416.3	2373.9	2317.3	2284.0	2255.7
-7°	2443.6	2434.5	2429.5	2414.3	2394.1	2353.7	2315.3	2271.9	2240.6	2231.5	2224.4
-9°	2316.3	2309.3	2306.2	2299.2	2286.0	2257.7	2241.6	2224.4	2213.3	2213.3	2205.2
-11°	2213.3	2209.3	2207.2	2200.2	2198.1	2185.0	2183.0	2176.9	2167.8	2167.8	2153.7
-13°	2137.5	2137.5	2137.5	2134.5	2127.4	2122.4	2121.4	2116.3	2105.2	2101.2	2080.0
-15°	2094.1	2095.1	2091.1	2087.0	2077.9	2071.9	2065.8	2057.7	2043.6	2032.5	2005.2
-17°	2021.4	2016.3	2020.4	2012.3	2012.3	2006.2	2004.2	2000.2	1986.0	1969.8	1936.5
-19.5°	1903.2	1904.2	1902.2	1896.1	1893.1	1892.1	1891.1	1885.0	1869.8	1852.7	1826.4
-22.5°	1868.8	1867.8	1864.8	1860.7	1857.7	1854.7	1855.7	1852.7	1838.5	1821.4	1795.1
-25.5°	1823.4	1822.4	1819.3	1814.3	1808.2	1802.2	1804.2	1800.1	1789.0	1774.9	1752.7
-29°	1761.8	1758.7	1755.7	1751.6	1741.5	1726.4	1715.3	1706.2	1694.1	1683.0	1657.7
-33°	1668.8	1667.8	1667.8	1663.8	1654.7	1642.5	1629.4	1616.3	1599.1	1581.9	1552.6
-37.5°	1575.9	1575.9	1575.9	1573.9	1569.8	1563.8	1556.7	1544.6	1527.4	1507.2	1479.9
-42.5°	1523.3	1522.3	1523.3	1518.3	1512.2	1504.2	1498.1	1487.0	1473.8	1463.7	1447.6
-47.5°	1068.8	1052.6	1061.7	1063.7	1044.5	1049.6	1047.6	1048.6	1041.5	1022.3	1005.1
-55°	191.9	191.9	194.0	197.0	195.0	189.9	183.9	183.9	190.9	194.0	189.9
-65°	159.6	159.6	159.6	158.6	158.6	157.6	157.6	157.6	157.6	157.6	162.6
-75°	23.2	22.2	23.2	23.2	21.2	22.2	25.3	25.3	25.3	25.3	25.3
-85°	7.1	7.1	7.1	10.1	11.1	12.1	12.1	13.1	13.1	12.1	12.1
-90°	0.0	0.0	0.0	0.0	0.0	0.0	0.0	0.0	0.0	0.0	0.0



REPORT NUMBER: P571709

CATALOG NUMBER: UFLD-S-CA1-50-727-U-66-TS2LW_NFFLD

CANDELA DISTRIBUTION (continued):

	22.5°	25.5°	29°	33°	37.5°	42.5°	47.5°	55°	65°	75°	85°
90°	0.0	0.0	0.0	0.0	0.0	0.0	0.0	0.0	0.0	0.0	0.0
85°	4.0	4.0	4.0	3.0	3.0	4.0	4.0	5.1	7.1	8.1	8.1
75°	2.0	2.0	2.0	2.0	3.0	4.0	4.0	5.1	7.1	8.1	9.1
65°	2.0	2.0	2.0	2.0	2.0	3.0	4.0	6.1	7.1	8.1	9.1
55°	15.2	11.1	8.1	9.1	11.1	8.1	6.1	7.1	8.1	9.1	9.1
47.5°	54.5	33.3	21.2	19.2	21.2	16.2	13.1	13.1	17.2	9.1	9.1
42.5°	154.6	58.6	107.1	117.2	101.0	32.3	45.5	35.4	20.2	10.1	9.1
37.5°	1292.0	1229.4	1196.1	1106.1	947.5	396.0	289.9	48.5	21.2	10.1	9.1
33°	2033.5	1982.0	1917.3	1787.0	1770.8	1504.2	820.3	100.0	21.2	11.1	9.1
29°	2930.5	2771.9	2722.4	2520.4	2381.0	1993.1	1218.3	224.3	23.2	12.1	9.1
25.5°	2825.5	2728.5	2620.4	2510.3	2394.1	2105.2	1492.0	326.3	26.3	12.1	9.1
22.5°	2672.9	2576.0	2484.0	2403.2	2336.5	2176.9	1707.2	405.1	30.3	12.1	9.1
19.5°	2550.7	2465.8	2382.0	2304.2	2272.9	2182.0	1778.9	467.7	36.4	12.1	9.1
17°	2431.5	2364.8	2304.2	2250.7	2239.6	2120.4	1768.8	522.3	46.5	13.1	9.1
15°	2365.8	2301.2	2257.7	2236.5	2214.3	2043.6	1755.7	575.8	52.5	13.1	9.1
13°	2331.5	2265.8	2235.5	2242.6	2171.9	1991.1	1737.5	660.7	58.6	13.1	9.1
11°	2327.5	2254.7	2234.5	2213.3	2121.4	1972.9	1724.4	763.7	61.6	13.1	9.1
9°	2339.6	2274.9	2232.5	2156.7	2077.9	1966.8	1715.3	882.9	62.6	14.1	10.1
7°	2349.7	2288.1	2230.5	2106.2	2033.5	1950.7	1700.1	993.0	60.6	14.1	10.1
5°	2364.8	2298.2	2225.4	2066.8	1997.1	1932.5	1687.0	1104.1	57.6	14.1	10.1
3°	2361.8	2278.0	2206.2	2029.4	1966.8	1918.3	1676.9	1201.1	56.6	14.1	10.1
1°	2338.6	2242.6	2162.8	2001.2	1935.5	1897.1	1671.8	1282.9	56.6	15.2	10.1
0°	2325.4	2222.4	2136.5	1988.0	1919.3	1887.0	1669.8	1319.3	55.6	15.2	10.1
-1°	2303.2	2196.1	2120.4	1975.9	1905.2	1872.9	1665.8	1346.6	55.6	15.2	10.1
-3°	2248.7	2153.7	2092.1	1949.6	1881.0	1849.6	1662.8	1382.9	56.6	15.2	10.1
-5°	2208.2	2135.5	2068.8	1926.4	1862.8	1825.4	1654.7	1401.1	57.6	15.2	10.1
-7°	2191.1	2117.3	2042.6	1896.1	1834.5	1795.1	1645.6	1404.1	57.6	15.2	10.1
-9°	2165.8	2086.0	2002.2	1857.7	1799.1	1757.7	1636.5	1395.1	58.6	16.2	10.1
-11°	2107.2	2022.4	1939.5	1817.3	1759.7	1711.2	1614.3	1378.9	58.6	16.2	10.1
-13°	2029.4	1947.6	1871.9	1771.9	1720.3	1671.8	1593.1	1346.6	58.6	16.2	10.1
-15°	1949.6	1871.9	1808.2	1732.5	1687.0	1637.5	1573.9	1297.1	58.6	16.2	10.1
-17°	1873.9	1797.1	1744.6	1692.0	1652.7	1604.2	1551.6	1232.4	59.6	16.2	10.1
-19.5°	1772.9	1712.3	1674.9	1643.6	1608.2	1563.8	1528.4	1131.4	58.6	15.2	10.1
-22.5°	1735.5	1676.9	1643.6	1612.2	1573.9	1529.4	1512.2	967.8	55.6	15.2	10.1
-25.5°	1688.0	1627.4	1590.0	1563.8	1542.5	1500.1	1509.2	772.8	53.5	15.2	10.1
-29°	1600.1	1550.6	1513.2	1485.0	1466.8	1458.7	1516.3	519.2	55.6	14.1	10.1
-33°	1508.2	1462.7	1415.3	1371.8	1343.5	1361.7	1497.1	204.1	57.6	14.1	10.1
-37.5°	1443.5	1400.1	1346.6	1280.9	1219.3	1216.3	1368.8	105.1	59.6	14.1	10.1
-42.5°	1406.2	1373.8	1320.3	1264.7	1180.9	1010.2	956.6	130.3	57.6	13.1	10.1
-47.5°	995.0	967.8	941.5	898.0	830.4	649.5	435.4	86.9	45.5	11.1	9.1
-55°	205.1	203.0	210.1	200.0	120.2	64.7	88.9	38.4	14.1	11.1	9.1
-65°	178.8	197.0	148.5	80.8	27.3	34.3	49.5	29.3	11.1	10.1	9.1
-75°	24.2	23.2	17.2	17.2	19.2	18.2	13.1	9.1	9.1	9.1	9.1
-85°	11.1	10.1	10.1	9.1	9.1	8.1	8.1	7.1	8.1	9.1	9.1
-90°	0.0	0.0	0.0	0.0	0.0	0.0	0.0	0.0	0.0	0.0	0.0



REPORT NUMBER: P571709
CATALOG NUMBER: UFLD-S-CA1-50-727-U-66-TS2LW_NFFLD

CANDELA DISTRIBUTION (continued):

	90°
90°	0.0
85°	0.0
75°	0.0
65°	0.0
55°	0.0
47.5°	0.0
42.5°	0.0
37.5°	0.0
33°	0.0
29°	0.0
25.5°	0.0
22.5°	0.0
19.5°	0.0
17°	0.0
15°	0.0
13°	0.0
11°	0.0
9°	0.0
7°	0.0
5°	0.0
3°	0.0
1°	0.0
0°	0.0
-1°	0.0
-3°	0.0
-5°	0.0
-7°	0.0
-9°	0.0
-11°	0.0
-13°	0.0
-15°	0.0
-17°	0.0
-19.5°	0.0
-22.5°	0.0
-25.5°	0.0
-29°	0.0
-33°	0.0
-37.5°	0.0
-42.5°	0.0
-47.5°	0.0
-55°	0.0
-65°	0.0
-75°	0.0
-85°	0.0
-90°	0.0

(END OF REPORT)